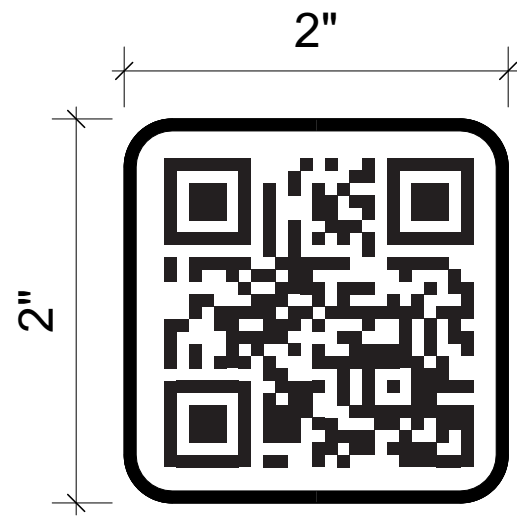
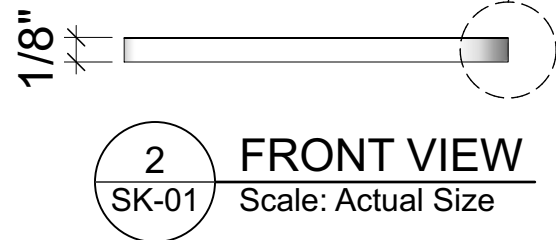
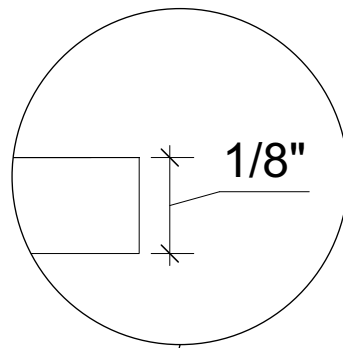


Dimensional tile + flat printed border

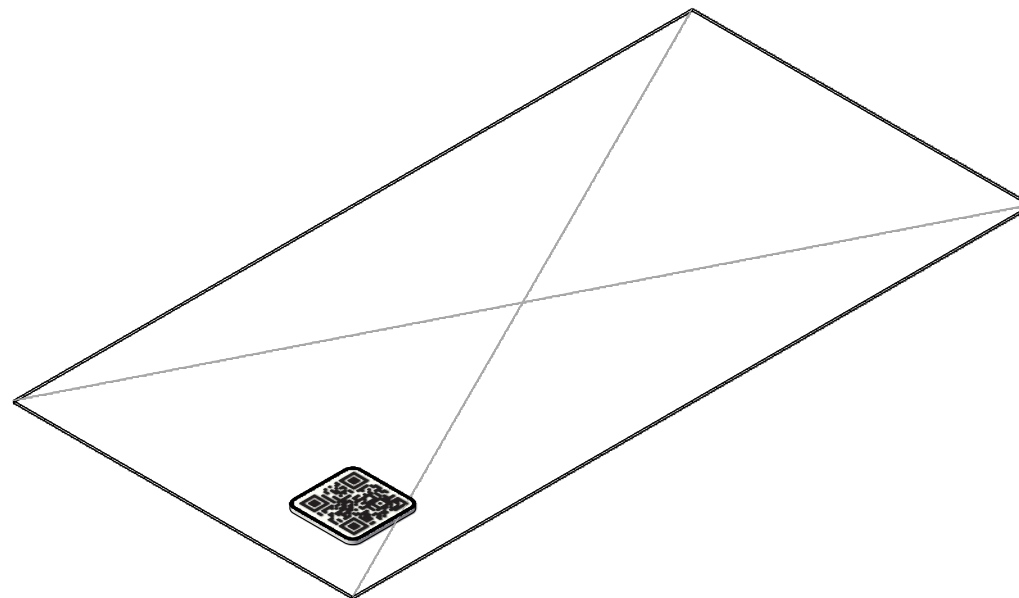
QR code tile mounted to separate graphic substrate allows for updates and retrofits without replacing the entire graphic panel.



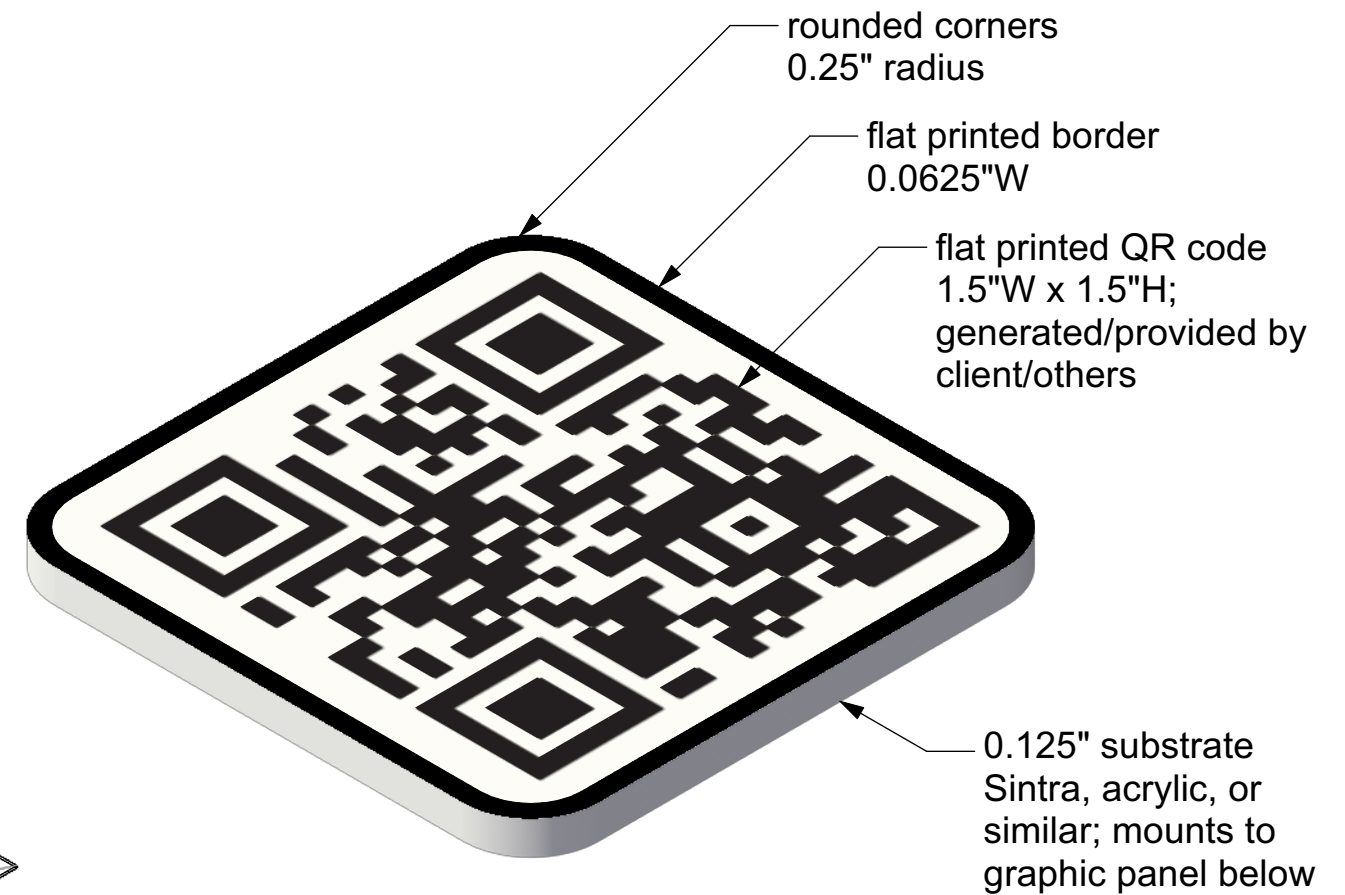
1 PLAN VIEW
SK-01 Scale: Actual Size




2 FRONT VIEW
SK-01 Scale: Actual Size



3 LEFT ISOMETRIC VIEW
SK-01 Scale: 3" = 1'-0"



4 DETAIL: QR Code tile
SK-01 Scale: 2X

Design Intent (for review only)	SIE PROJECT #: N/A		PHASE: Internal Review	DATE: 07/27/2021	SCALE: As Noted	DRAWN BY: EAS	CHECK BY: JW	SHEET NUMBER: SK-01
	PROJECT TITLE: QR CODE TILE PRODUCTION		DRAWING: QR Code Tile					REVISION: 00